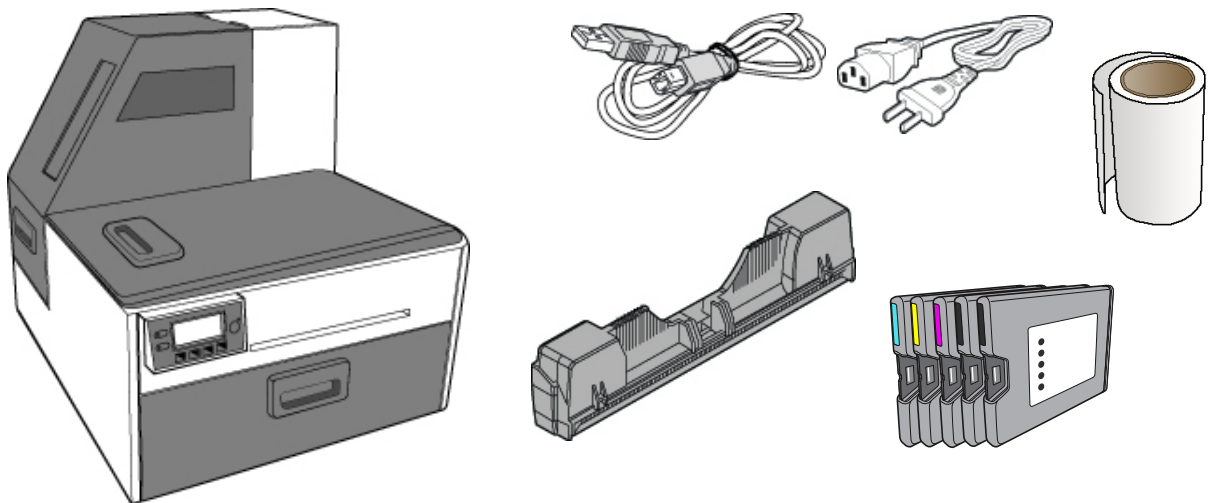


Quick Setup and Installation Guide

For more detailed information, run the installer and click the **User Guide** button on the Setup Launcher main page.

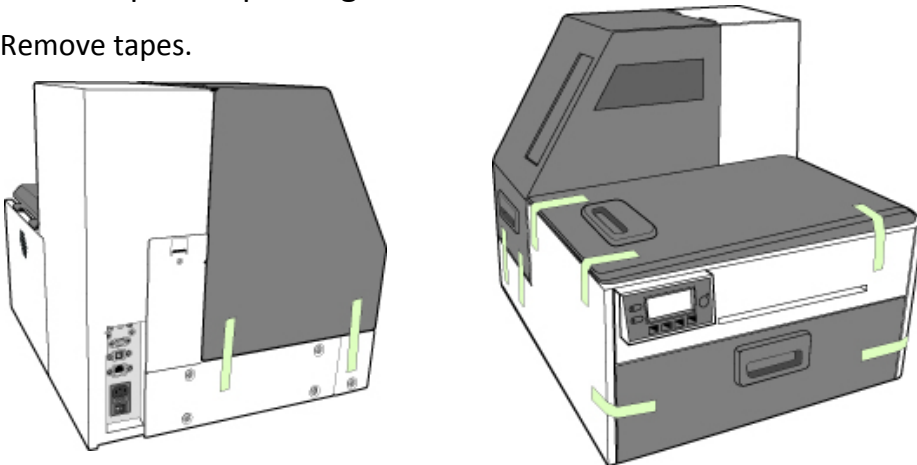
Technical Support Contact Information:
Email: support@afinialabel.com
Phone: 952-556-1608

Unpack:



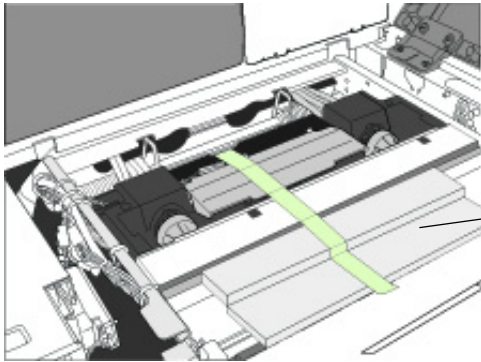
1 Remove tape and packing materials

- a Remove tapes.

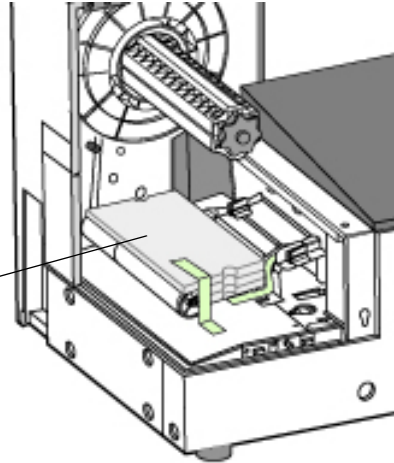


(continued on next page)

(b) Remove tapes and foam.



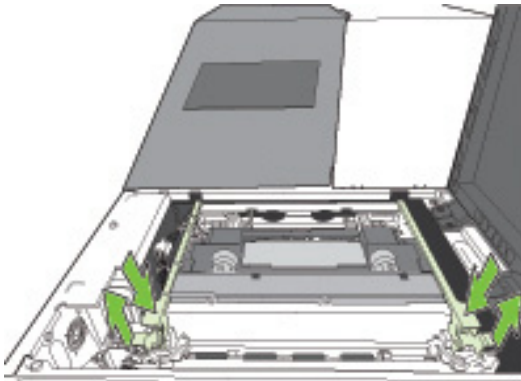
foam



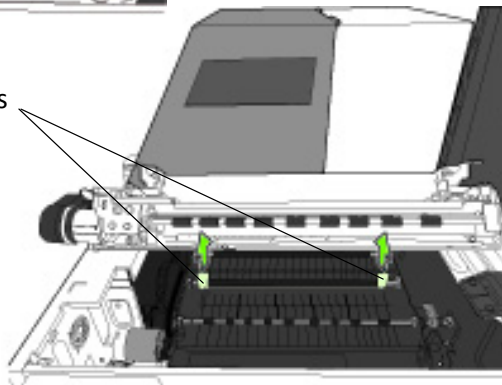
(c) Remove cardboard.

Save the packing foam and cardboard!

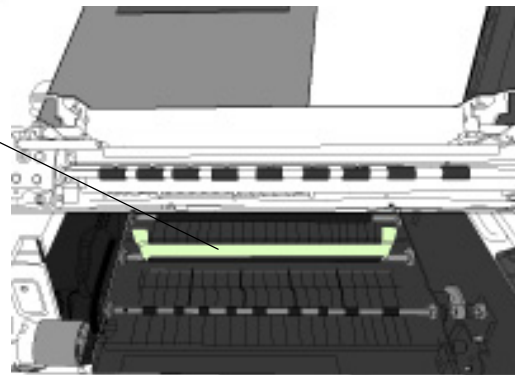
Squeeze latches to open clamshell



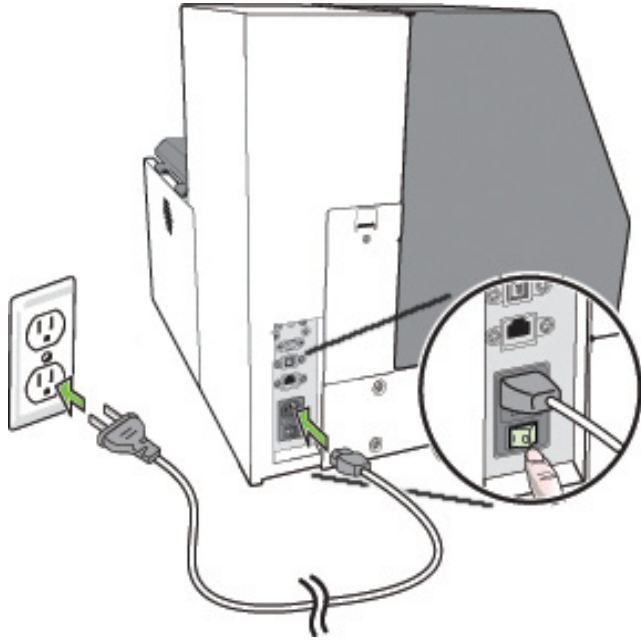
Lift tabs



cardboard



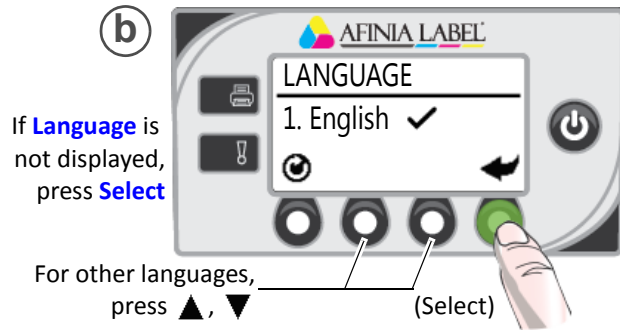
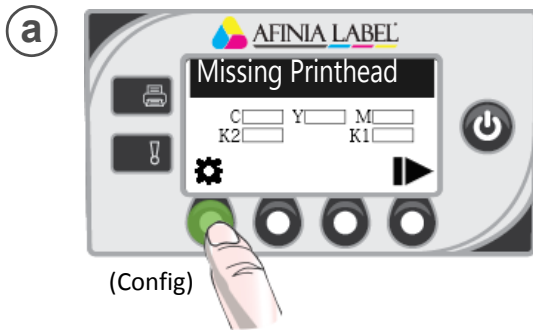
2 Connect power



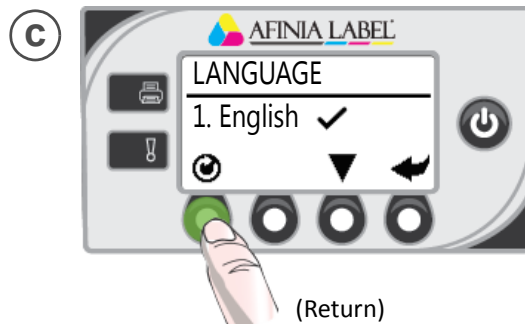
! Do not connect the printer to a PC until prompted to do so during the Printer Driver Installation!



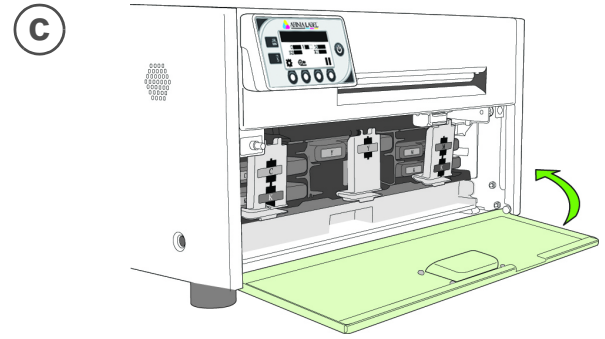
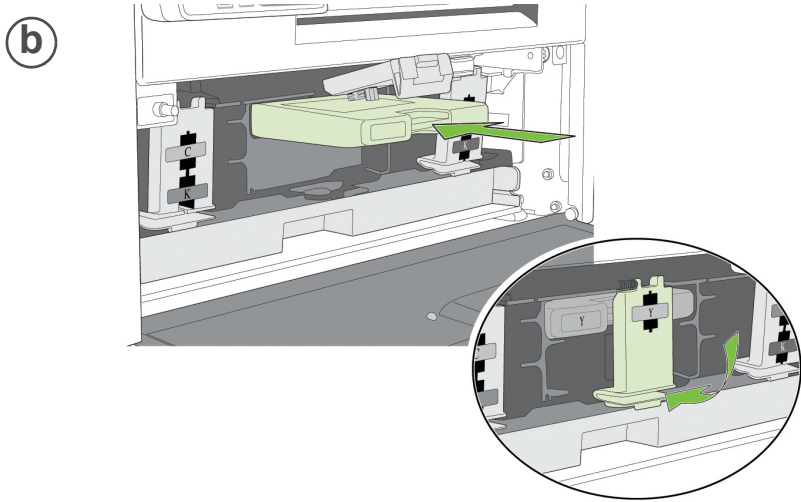
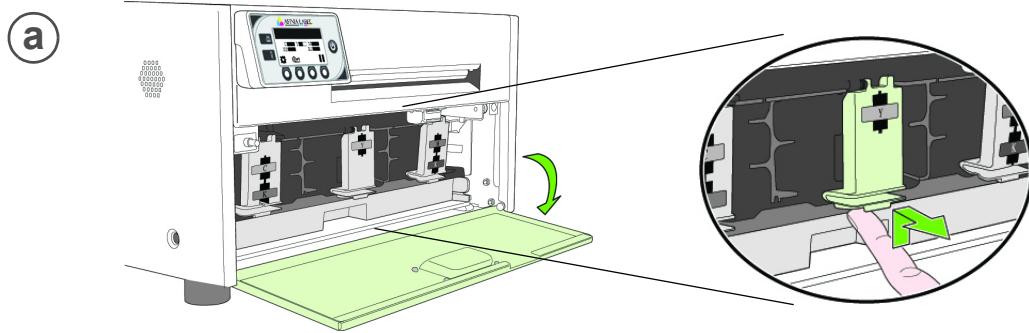
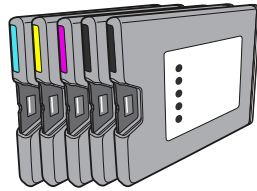
Choose display language



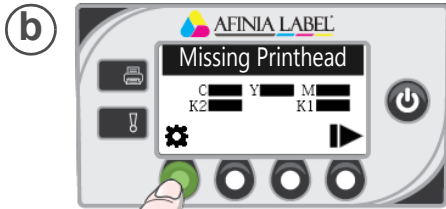
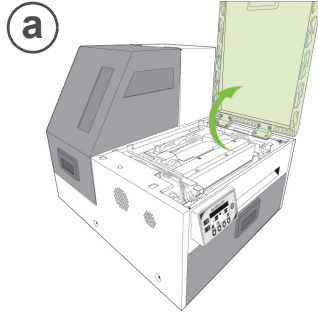
If Language option is not available, see [Selecting the Security Level](#) in Chapter One of the User's Manual.



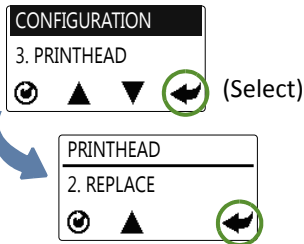
3 Install ink cartridges



4 Install printhead

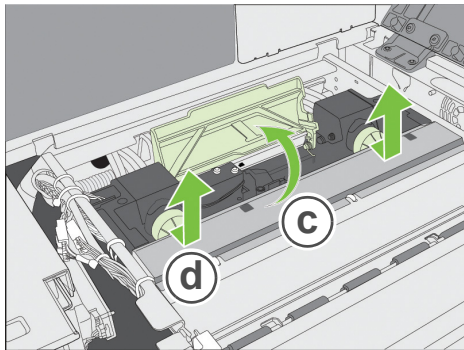


(Config)



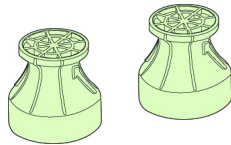
! Wait for printhead latch to be released.

(c) Open printhead latch fully.

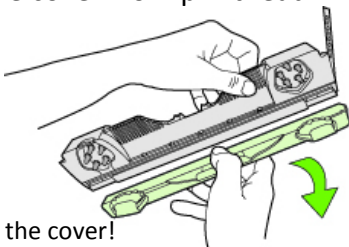


(d) Remove caps.

Do not discard caps!

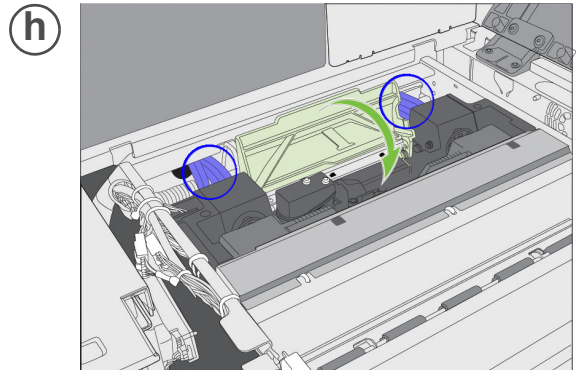
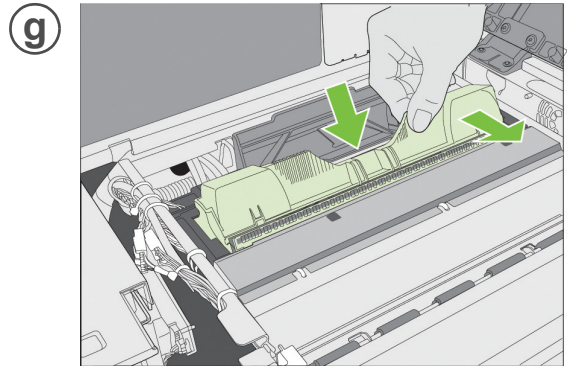
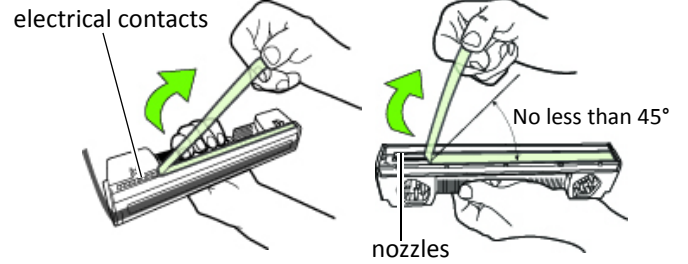


(e) Remove cover from printhead

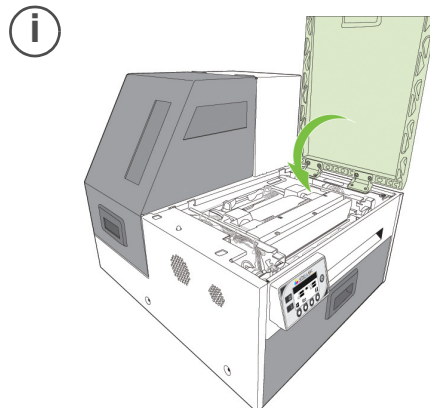


Do not discard the cover!

(f) Slowly remove tape from electrical contacts and nozzles

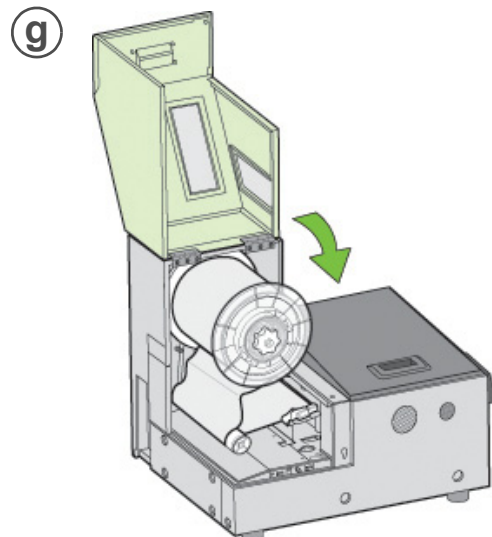
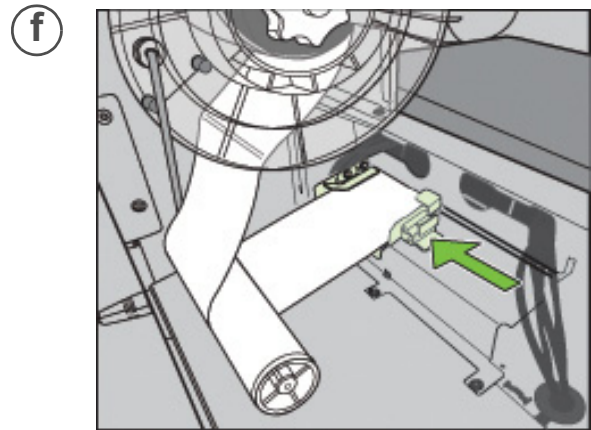
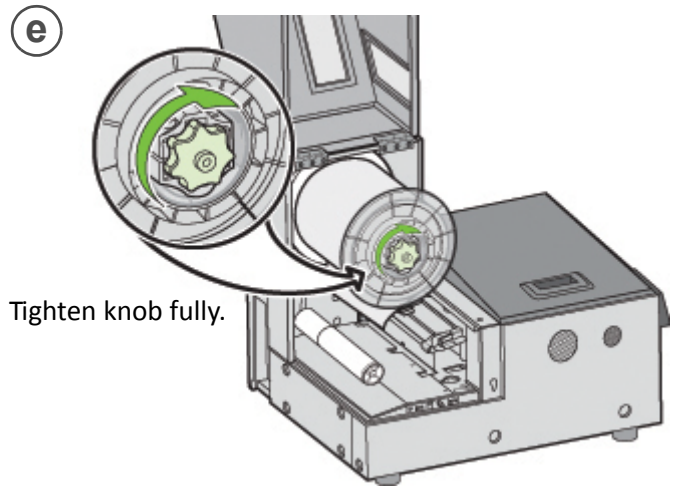
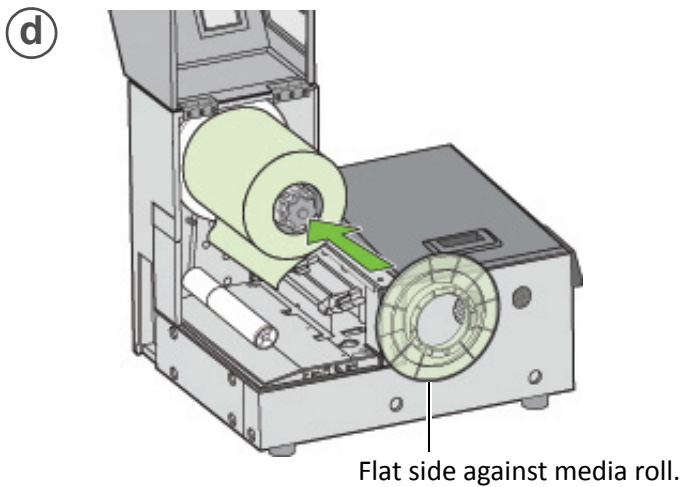
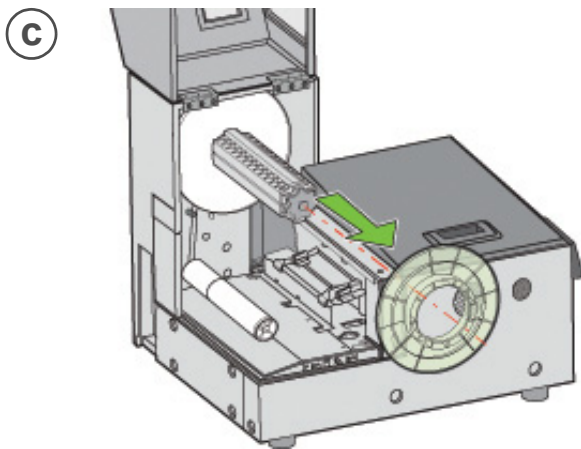
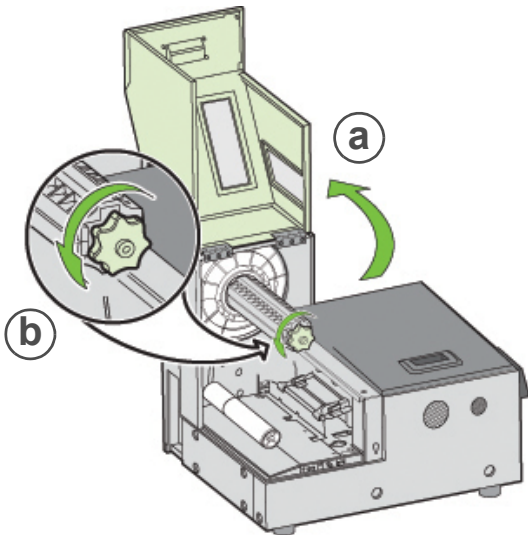


Check that ink is flowing through the tubes on both sides of the printhead.



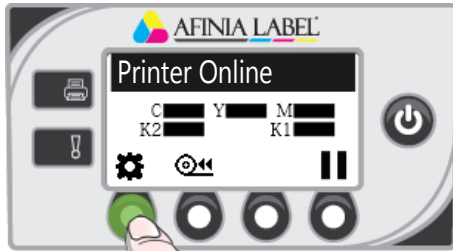
Control Panel will read **Online** when ready

5 Load sample media

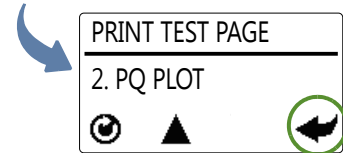
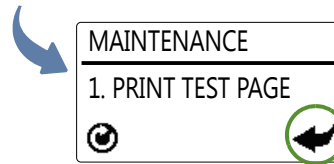
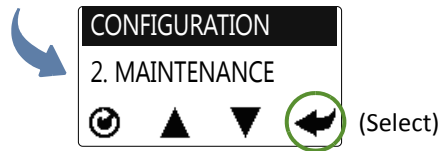


6 Print test label

Requires inter-label gap or continuous media



(Config)



Sample PQ Plot



Top Section:

- Lines are defined with no missing nozzles
- Lines are printed in order: Yellow, Black, Cyan, Black, Magenta
- Vertical dashed lines are straight

Middle Section:

- All yellow, black, cyan, black, magenta lines are printed
- No color mixing on the color bars
- Numbers 1, 3, 5 are visible

Bottom Section:

- Lines are defined with no missing nozzles
- Lines are printed in order: Yellow, Black, Cyan, Black, Magenta

Overall:

- No streaking or smearing

7 Install printer driver

Before installing printer driver, ensure the computer meets minimum system requirements (see [System Requirements](#) in the User Manual Appendix).

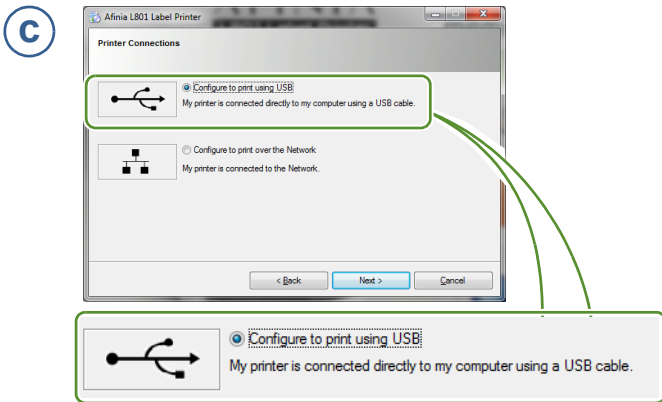
To connect printer to computer using USB

- a** Download installer from the AfiniaLabel website:
<https://afinialabel.com/product-support/l801-support/>

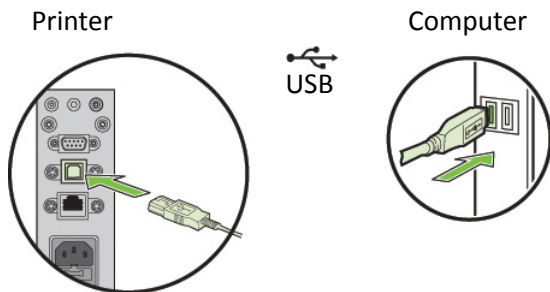
Drivers & Installers

- Full Installer & Driver (L801)
- Full Installer & Driver (L801 Plus)

Extract the file and run check.exe

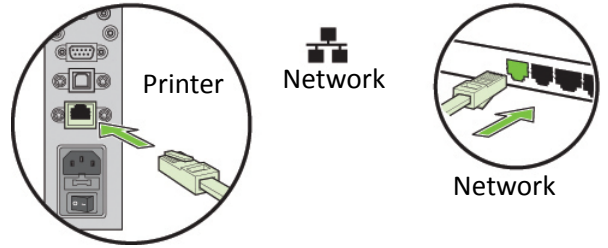


- d** Connect USB cable when prompted.



To connect printer to network

- a** Connect printer to network using Ethernet



- b** If you will be using DHCP to set the IP Address, skip to step c.

To assign the printer a Static IP address, please see [Selecting the Security Level](#) in Chapter One of the User Manual before proceeding to step c.

